



杭州新恒力电机制造有限公司

Hangzhou New Hengli Electric Machine MFG.Co.,Ltd.

杭州新恒力电机制造有限公司

Hangzhou New Hengli Electric Machine MFG.Co.,Ltd.

国家二级企业
通过ISO9001:2000质量认证

厂址: 杭州市西湖区转塘象山350号

营销中心电话: 86-571-87091942 87096234 87097237 87097239

传真: 86-571-87096234

技术(电话/传真): 86-571-87092582 服务(电话/传真): 86-571-87311647

邮编: 310024 电挂: 2879 网址: www.hzhldj.com



轧机辅传动用直流电动机ZZJ-800系列

SPECIFICATION FOR MILL AUXILIARY D.C MOTOR

今天要比昨天做得更好

特点和用途

ZZJ-800系列电动机是一种冶金起重用直流电动机，适用于轧钢机、起重机、升降机和电铲等。

本系列电动机转动惯量低，过载能力大，速度反应快。因而能经受快速而频繁的启动、制动与反转。并具有可靠性好、调速性能优良、适应可控硅供电下工作等特点。

电机采用圆形整体机座，结构坚固，能承受震动和冲击。全部绕组使用F级绝缘，真空浸渍，与叠片铁心形成整体，确保绝缘高度稳定和良好散热。此外，电枢绕组与换向器升高片之间用钨极惰性气体保护焊连接，从而增进电气和机械可靠性。

电动机的基本机构形式为卧式有脚，双轴伸，轴伸端锥度为1:10。出线盒位置从主传动端视之，在电机的右侧。

电动机的定额，性能及外形安装尺寸全部按照国际电工委员会标准IEC34-13《冶金起重用辅机电动机技术规范》（1980版）和国家标准GB5227《轧机辅传动直流电动机》

电动机的防护和冷却方式有6种：

1. 全封闭、自冷。IP44、IC410
2. 防滴、强迫通风带骑式鼓风机。IP23S、IC06
3. 防滴、单管道通风。IP23S、IC17
4. 全封闭、双管道通风。IP44、IC37
5. 防滴、自通风。IP23S、IC01
6. 全封闭、强迫通风带空/水冷却器。IP44、ICW37A86（仅对ZZJ804-818而言）。也可根据用户要求制成其他形式。

Feature And Uses

ZZJ-800 motors are a kind of DC motors used for metallurgy & hoisting, available for steel rolling machine, crane, elevator and electric excavator etc.

The motors have lower moment of inertia(GD),higher overload capacity,and quicker speed response so that it is possible to undergo frequent starting, braking, and repeated change of direction of rotation. Moreover, the motors are reliable, perform well in speed regulating, and can be operated suitably on thyristor continue rolled supplies.

The sturdy unitary round frame structure is highly resistant to shock impact.All the windings are vacuum pressure impregnated with class F insulation, to form an integral construction with the laminated cores,ensuring high dielectric stability and excellent heat dissipation.Besides,the connection between armature winding and segment risers is employed by TIG welding (inert gas tungsten are welding), thereby improving the electromechanical reliability.

Basic type of construction is horizontal foot-mounted and 2 shaft-end's which are 1:10 tapered. Terminal box is located at the right side of motor viewed from motor viewed from the main drive end.

Rating,performance and outline mounting dimension all conform to the standard of IEC publication 34-13 (edition 1980) "Specification for mill auxiliary motor", and national standard GB5227 "Specification for mill auxiliary D.C motor"

Modes of protection and cooling have 6 kinds:

- 1.Totally enclosed,self-cooling.IP44、IC410
- 2.Drip-proof,force ventilated with built-on blower.IP23S、IC06
- 3.Drip-proof,single pipe ventilated.IP23S、IC17
- 4.Totally enclosed,double pipes ventilated.IP44、IC37
- 5.Drip-proof, self-ventilated.IP23S、IC01
- 6.Totally enclosed,force ventilated with air-to-water heat exchanger.IP44、ICW37A86(only for ZZJ804-818).It many also be made into other different types on request.

标准机座号电动机的额定值 (220V, 440V) Standardized Motors Rating (220V, 440V)

机座号 Frame size	外通风式连续工作制 (S1) 或全封闭40分定额定工作制 (S2) Continuous rates (S1), ventilated or duty types (S2) 60min, totally enclosed			全封闭式断续周期工作制 (S3) ③ Duty cycle(S3)30%, totally enclosed③			通风 Ventilation		最大运动转矩④ Max starting torque④			最大运行转矩④ Max load torque④			电枢最大惯性矩GD⑤ Max armature moment of inertia GD⑤ (kgm ²)	最大安全转速 Max safe operating speed (r/min)	励磁功率 Excit Power (kw)	重量 Weight (kg)					
	功率 Output (kw)	转速 Speed (r/min)	额定电压 Speed at rated voltage (r/min)	串励 Series wound		复励 Comp. Wound		风量 Volume (m ³ /s)	风压 Pressure (Pa)	串励 Series Wound (N.m)	复励 Comp. Wound (N.m)	串励 Series Wound (N.m)	复励 Comp. Wound (N.m)	串励 Series Wound (N.m)					并励 Shunt Wound (N.m)				
				功率 Output (kw)	转速 Speed (r/min)	功率 Output (kw)	转速 Speed (r/min)													功率 Output (kw)	转速 Speed (r/min)		
802A①	3.75	900	1025	1025/2050	1025/2050	5.0	750	840	3.75	1080	3.75	1130	0.052	190	157	125	158	123	102	0.50	3600	0.27	250
802B①	5.6	800	900	900/1800	900/1800	7.5	675	780	5.6	950	5.6	1000	0.052	190	270	216	268	210	177	0.72	3600	0.52	260
802C①	7.5	800	900	900/1800	900/1800	10.0	675	800	7.1	940	6.7	1000	0.076	250	360	237	360	280	220	0.72	3600	0.55	260
803	11.2	725	800	800/2000	800/1600	14.1	620	725	10.8	840	10.5	880	0.094	320	740	400	600	470	360	1.30	3300	0.60	390
804	15.0	650	725	725/1800	725/1450	19.5	580	650	13.8	775	12.7	800	0.12	320	1100	880	590	685	530	2.15	3000	0.70	490
806	22.4	575	650	650/1950	650/1300	29.0	500	575	21.2	690	18.6	715	0.16	380	1870	1500	980	1490	880	4.15	2800	0.90	770
808	37.3	525	575	575/1725	575/1150	48.5	450	570	28	625	25.0	630	0.20	380	3400	2800	1860	2700	2150	8.6	2300	1.5	930
810	52	500	550	550/1650	550/1000	67.0	440	550	39	615	33.5	600	0.25	440	5000	4000	2700	4000	3100	12.6	2200	2.0	1370
812	75	475	515	515/1300	515/1050	100	420	525	56	580	45.0	565	0.35	500	7450	6250	4150	6000	900	23	1900	2.2	1690
814	112	460	500	500/1250	500/1000	149	400	515	82	656	63.5	560	0.42	560	1600	9600	6400	9300	7500	39	1700	2.5	2500
816	150	450	480	480/1200	480/9600	200	400	500	104	540	82	535	0.57	630	16000	13300	8900	12600	10400	58	1600	3.8	3050
818	186	410	435	435/1100	435/870	243	360	485	123	490	97	470	0.75	750	17000	18400	12300	17400	14400	88	1500	4.2	4050

Note:

- (1) Frame size 802 is assigned 3 ratings. Mounting dimensions are identical for each rating but electrical designs will be different.
- (2) A stabilizing series winding may be used to obtain these speed ranges.
- (3) Intermittent rating S3 is that: Assume FC=30%ED; within 5minutes, load on for 1.5min, sopped with power off for 3.5 min. cycling, with shunt field continuously excited.
- (4) Maximum attainable values with respect to other specified performance limitation, not applicable to voltage rising or field weakening.
- (5) The rated 220V motors can be running with boosting voltage up to 440V under condition that the rated current is not changed.
- (6) GD in the table is the calculated value.

注:

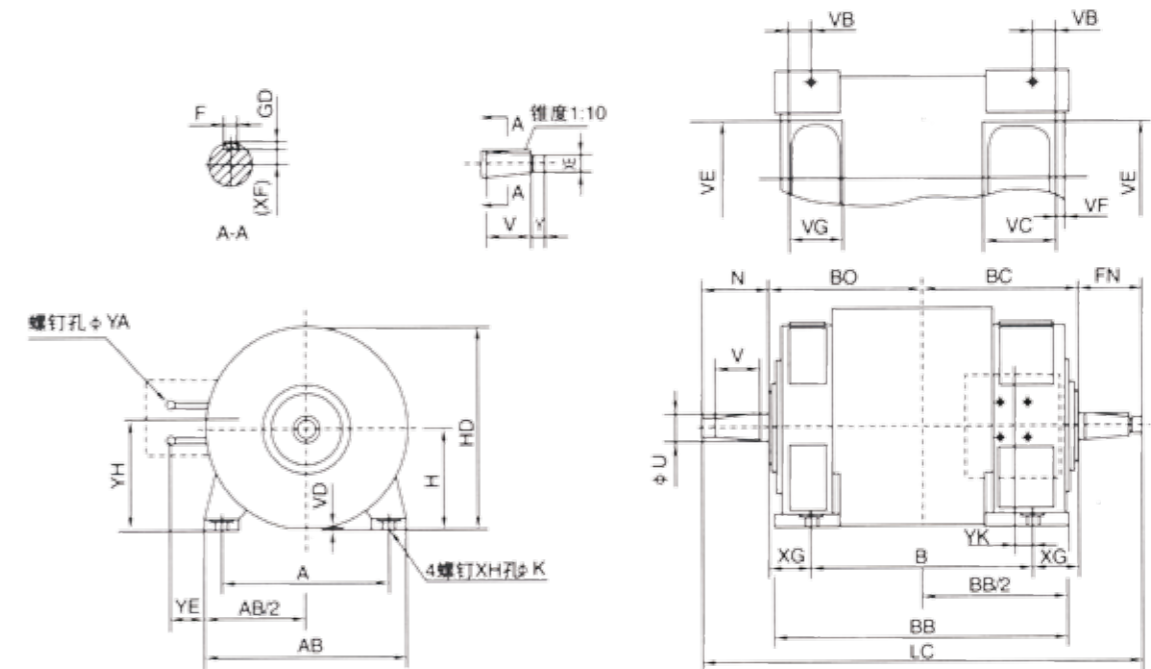
- (1) 802机座有三种规格，电动机安装尺寸均相同，但电磁设计不同。
- (2) 为获得这些转速范围，允许附加少量串励稳定绕组。
- (3) 断续周期性工作 (S3) 意指在周期5分之内，负载时间1.5分，不通电停转时间3.5分，负载持续率FC=30%的反复负载连续使用定额，并励磁场连续励磁。
- (4) 考虑其他性能规定，可达到的最大数值。不适用与升压或弱磁工况。
- (5) 额定电压220伏的电机可在额定电流不变的条件下降压或弱磁工况。
- (6) 表中GD为计算值。

机座号 Frame size	标准机座号电动机尺寸 Dimensions of Standardized Motors																		
	风道凸缘的表面 ventilating Surface of flange					HD	电动机引出线 Coil-leads of motors												
	VB	VF	VD	VE	VC		VG	YA	YE	YH	YK								
802	22	10	10	184	121	400	20	22	95	419	318	193.5-0.5	831	521	381	193.5-0.5	831	521	381
803	44	13	10	216	127	444	20	22	114	457	356	215.8-0.5	932	597	432	215.8-0.5	932	597	432
804	57	13	10	229	140	470	20	22	127	483	381	228.5-0.5	983	648	457	228.5-0.5	983	648	457
806	54	13	10	260	152	521	24	26	127	533	419	254.0-1	1073	698	508	254.0-1	1073	698	508
808	51	13	19	292	165	584	30	33	130	629	476	285.5-1	1200	794	578	285.5-1	1200	794	578
810	54	13	19	305	178	635	30	33	146	660	521	311.0-1	1274	826	622	311.0-1	1274	826	622
812	64	16	19	349	210	692	30	33	159	724	572	339.5-1	1388	914	686	339.5-1	1388	914	686
814	86	16	19	387	235	762	36	39	184	813	635	374.5-1	1538	1054	762	374.5-1	1538	1054	762
816	114	25	19	406	279	829	36	39	216	889	686	406.2-1	1703	1187	826	406.2-1	1703	1187	826
818	98	25	19	457	305	918	42	45	203	991	762	450.8-1	1795	1264	914	450.8-1	1795	1264	914

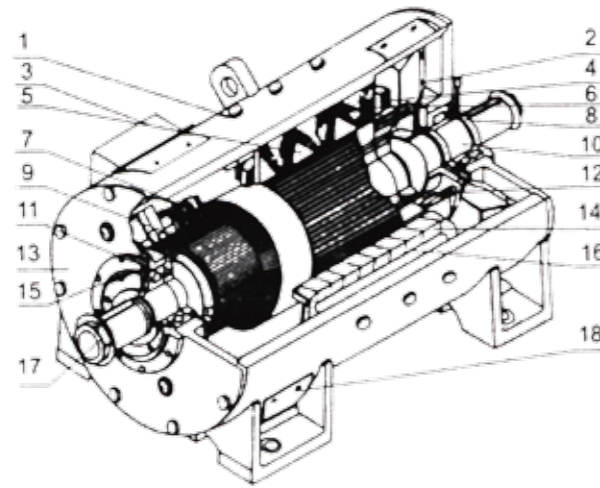
*电动机的引出线仅对不装出线盒而言
*Coil-leads are only for motor without terminal box

机座号 Frame size	圆锥形轴伸尺寸为1:10 Comical shaft-end(1:10) taper								
	轴伸尺寸 Shaft-end dimension				轴伸螺纹 Shaft-end thread			键 Key	
	N FN	U	V	(XF)	Y	XE	S螺距 Pitch	F	GD
802	111	45	82	15.4	28	M30	2	12	8
803	123.5	50	82	17.9	28	M36	3	12	8
804	123	50	82	17.9	28	M36	3	12	8
806	143	65	105	23.9	35	M42	3	16	10
808	155.5	75	105	27.9	35	M48	3	18	11
810	161	85	90	31.7	40	M56	4	20	12
812	173	95	90	35.2	40	M64	4	22	14
814	178.5	110	120	41.9	45	M80	4	25	14
816	191	120	120	45.9	45	M90	4	28	16
818	199	130	150	50	40	M100	4	28	16

电动机外形安装尺寸图 Outline Mounting Dimensions



1. 机座
2. 风扇
3. 出线盒
4. 主极线圈
5. 主极铁心
6. 电枢线圈
7. 刷架
8. 轴承
9. 换向器
10. 转轴
11. 轴承盖
12. 电枢
13. 端盖
14. 换向极线圈
15. 注油孔
16. 换向极铁心
17. 螺母垫圈
18. 视察窗

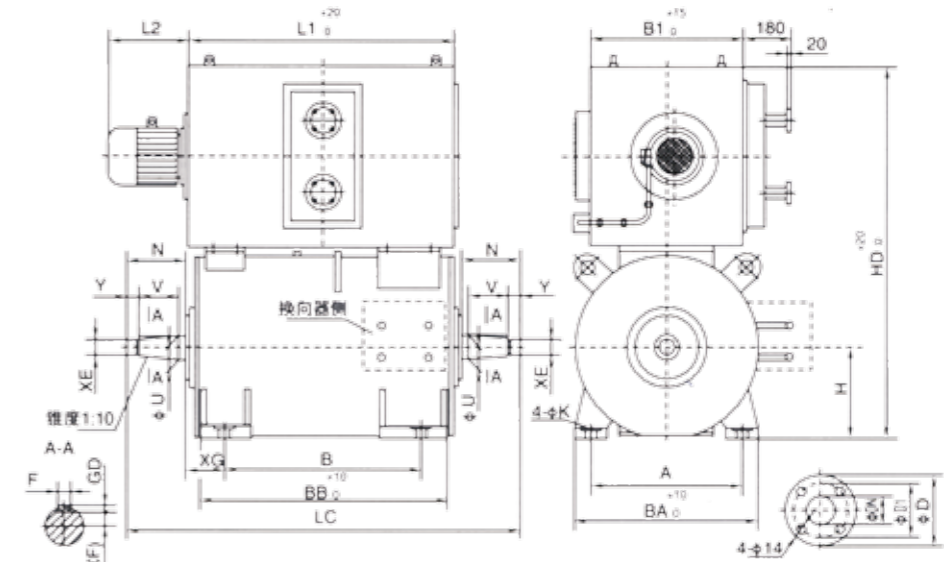


- 1.Frame
- 2.Fan
- 3.Terminal box
- 4.Field winding
- 5.Main pole core
- 6.Armature winding
- 7.Brush rocker
- 8.Bearing
- 9.Commutator
- 10.Rotating shaft
- 11.Bearing cover
- 12.Armature
- 13.Endshield
- 14.Compole winding
- 15.Oil nipple
- 16.Compole core
- 17.Nut,washer
- 18.Viewing window

外形安装尺寸单位为毫米
Unit of outlin mounting dimension:mm

空/水冷却器技术参数及外形安装尺寸 Technical Data and Outline Mounting Dimensions of Air/water Cooling Machine										
机座号 Frame size	L1	L2	B1	HD	DN	D1	D	换热功率 Heat-exc hangin Power (kw)	进水量 Consumption of water (L/S)	风机功率 Blower Power (kw)
804	720	250	570	1200	32	90	120	5	1.0	1.1
806	760	250	600	1240	32	90	120	6	1.2	1.1
808	810	250	600	1310	32	90	120	7	1.2	1.1
810	960	320	680	1360	32	90	120	13	2.2	3
812	960	320	680	1420	32	90	120	15	2.2	3
814	1030	340	680	1480	32	90	120	18	2.5	4
816	1140	340	680	1590	40	100	130	22	2.7	4
818	1240	400	720	1680	40	100	130	30	3.0	5.5

注：冷却风机的电动机均为三相，380V，50HZ。
Note:The motors of the cooling blowers are all 3 phases, 380V,50HZ.



804-818 进出水口法兰与接管尺寸
804-818 water inlet/outlet flange & connecting tube dimensions

订货说明

1. 订货前，请查阅产品目录，明确所需产品的型号、规格与数据，如所需品种、规格与目录中有出入，请即与我公司联系，如另有特殊要求，请事先提出具体、明确要求，与我公司有关部门协商，经同意后签订协议或试制协议。
2. 在订货合同中，请注明电机型号、功率、电压、转速、励磁方式、励磁电压、额定工作方式等数据及结构类型、出轴数、出线盒位置、旋转方向，和前条所述经同意后的特殊要求或协议书编号以及所需附件、备品的项目、数量等。
3. 出口产品需附外文说明者，应在合同中详细注明。
4. 为了提高产品质量及技术经济指标，产品在不断改革，本目录所列数据难以长期不变，随时联系。本文规定的订货说明如有不够明确之处，请与本公司联系。

Note to Customers on Ordering

1. Please refer to our catalogue before ordering. If the types, rating you need are not covered by our booklet, please contact us. Should you have specific needs, please offer us clear and concrete proposal in advance. A contract or pilot production agreement may be made, if the particular requirements are fixed by mutual consent.
2. Please write clearly the type, output, voltage, speed, excitation, exciting voltage, duty-cycle, type of construction, No. of shaft-end, location of terminal box, direction of rotation, as well as agreement No. name and quantity of necessary accessories and spare parts ect.
3. If the orders for export need foreign language operation instruction, please specify when ordering.
4. To match the advanced technology and raise the quality control as well as economic and technical factors so as to meet the increasing needs of our customers, the booklet is subject to relevant change without notice. If our literature does not answer all of your questions please contact us.